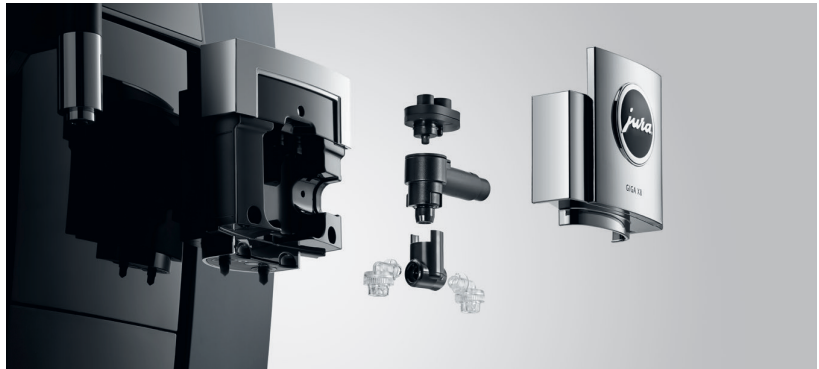


PROFESSIONAL



# GIGA X8

## Four times more professional



### Benefits

- 4.3" touchscreen color display
- 2 precision ceramic disc grinders with Automatic Grinder Adjustment (A.G.A.)
- Speed function thanks to additional hot water bypass
- 2 thermoblocks and 2 pumps

The GIGA X8 allows JURA to demonstrate Swiss innovation and professionalism down to the very last detail. Anywhere where a capacity of up to 200 cups is the order of business, the machine impresses users with its quality, functionality and reliability. Coupled with top performance in every respect, this results in a high-tech automatic coffee machine which is ideally tailored to the requirements of office floor, seminar, catering and Coffee to Go solutions.

### Recommended accessories

- Cool Control 2.5l
- Cool Control 1l
- Wireless Transmitter for Cool Control
- Lockable bean container
- Coffee grounds disposal/ drip drain set

### Areas of use

- Office floor solutions
- Seminar / conference facilities
- Catering
- Coffee to Go

Recommended maximum daily output  
200 cups



GIGA X8

Technical overview

**Specific advantages**

Number of specialties	32
Speed function	■
Automatic Grinder Adjustment (A.G.A.)	■
Active bean monitoring	■
Automatic switchover from milk to milk foam	■
Transmitter supplied as standard	Smart Connect

**JURA coffee machine standards**

Pulse Extraction Process (P.E.P.®)	■
One-Touch function	■
Variable brewing unit	5 – 16 g
Grinder	2 electronically adjustable ceramic disc grinders
High-performance pump, 15 bar	2
Thermoblock heating system	2
Fluid systems	2
Milk system	HP3/CX2
Powder chute for ground coffee	■
Aroma preservation cover	■

**Operating and programming standards**

Compatible with J.O.E.®	■
Rotary Switch	■
Display	4.3" touchscreen color display
Store, copy and personalize products	■
Programmable and individually adjustable amount of water	■
Programmable and individually adjustable coffee strength	10 levels
Programmable amount of milk/milk foam	■
Programmable milk /milk foam temperature	10 levels
Programmable brewing temperature	3 levels
Programmable temperature of hot water	3 levels
Intelligent Pre-Brew Aroma System with optional deactivation	■
Generating code groups	■
Resettable day counter	■
Shows the number of preparations for each individual product	■

**Hygiene standards**

Intelligent Water System (I.W.S.)	■
CLEARLYL filter cartridge	CLEARLYL Pro Smart
One-Touch milk system cleaning (automatic)	■
Integrated rinsing, cleaning and descaling program	■
Monitored drip tray	■
JURA hygiene: TÜV-certified	■

**Energy standards**

Energy Save Mode (E.S.M.®)	■
Zero-Energy Switch or power switch	■
Programmable switch-off time	■
Programmable switch-on/switch-off time	■

**Design and materials**

Alu Frame Design® 3 mm	■
Centre panel in Piano Black	■
Amber/white cup illumination	■

**Maximum hourly output**

Number of cups per hour (as per DIN 18873-2)	
Espresso (1×/2×)	89/138
Coffee (1×/2×)	72/82
Cappuccino (1×/2×)	78/110
Hot water	116

**In figures**

Height-adjustable dual spout	2.76 – 6.26 in
Height-adjustable hot-water spout	2.72 – 6.5 in
Water tank capacity	169 oz
Bean container holding capacity	2 x 22.9 oz
Coffee grounds container (servings)	max. 40
Cable length	approx. 43 in
Voltage/Power	120 V~ / 1450 W
Current	10 A
Stand-by power	< 0.5W
Weight	42 lbs
Dimensions (W × H × D)	14.5 x 22.25 x 19.5 in
Article number/Product code	15392/ Aluminum Black (NAA)

202208 – JURA reserves the right to modify specifications without notice. We accept no liability for misprints and other errors. spireadvertising



Hygiene standards



www.tuv.com  
ID 0000027526